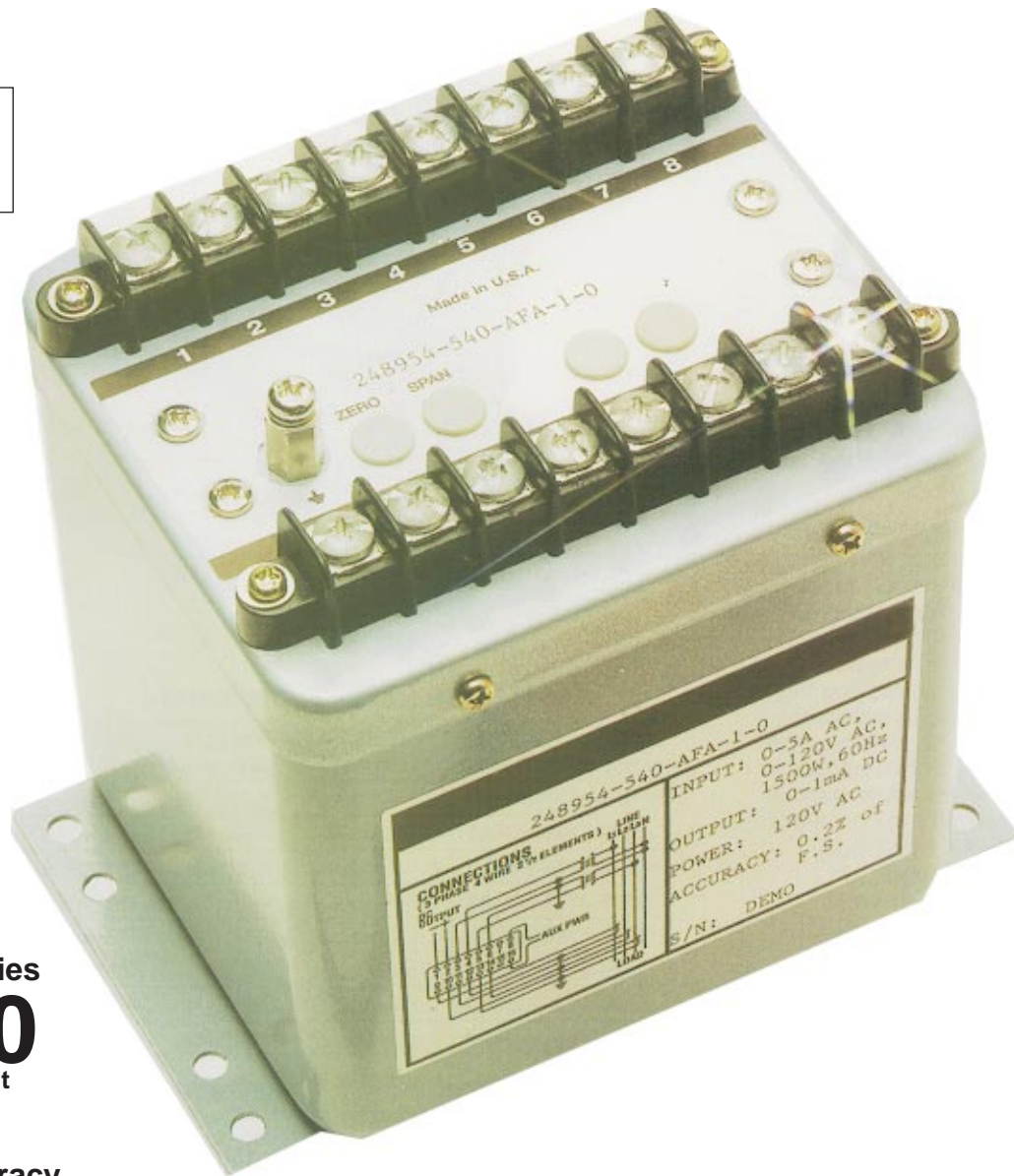


Watt Transducers



OM10 Series
\$380
 Basic Unit

Shown
 actual size

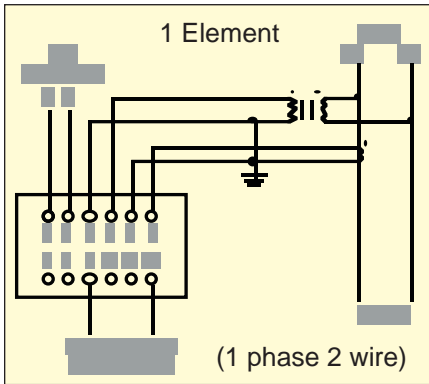
- ✓ 0.2% Accuracy
- ✓ Isolated
- ✓ Models Available with
 4-20 mA or 0-1 mA
 Outputs

OMEGA's OM10 Series watt transducers accept ac voltages and currents to produce a conditioned dc process signal output representing wattage. Single, dual, and three element models are available to accommodate a variety of wiring configurations. For larger input voltages and currents, the OM10 may also be used with OMEGA's voltage and current transformers.

Specifications

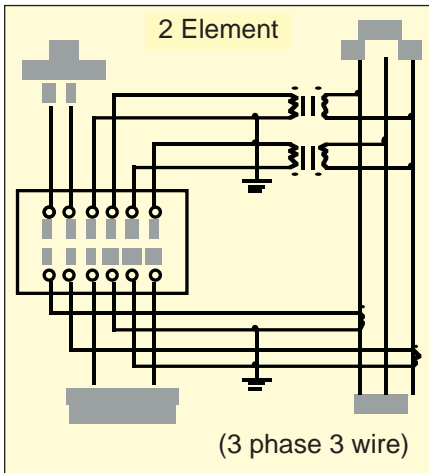
Accuracy: 0.2% of Reading
Sustained Input Overrange:
 Voltage, 120% continuous, 150%
 for 5 seconds; Current, 200%
 continuous, 1000% for 5 seconds
Outputs: 0 to 1 mA dc: into 10
 KOhm 10 Vdc compliance;
 4-20 mA into 750 Ohm Max 15 Vdc
 compliance
Output Calibration: 120 Vac/5
 Amps=0-500 watts/element;
 240 Vac/5 Amps=0-1,000
 watts/element
Zero Adjust: ±5% minimum

Span Adjust: ±10% minimum
Response Time: <400 msec 0-99%
 of full scale
Power Consumption: 5 VA max
Isolation: Input to output: 2500
 Vac, 60 Hz, 1min; Input to power:
 2500 Vac, 60 Hz, 1 min; Input to
 case: 2500 Vac, 60 Hz, 1 min;
 Power to output: 2000 Vac, 60 Hz,
 1 min; Power to case: 2000 Vac,
 60 Hz, 1 min; Output to case: 500
 Vac, 60 Hz, 1 min
Dimensions: 119.8 x 133 x 95.7 mm
 (4.717" H x 5.236" W x 3.769" D)



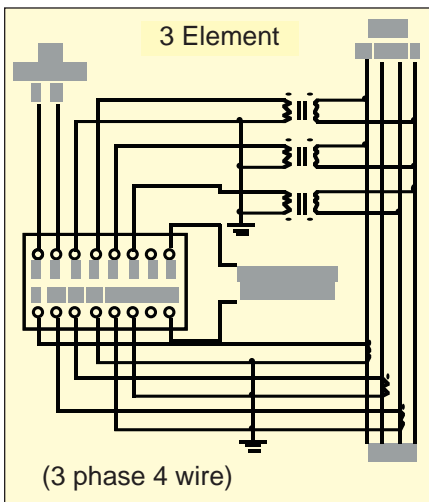
ac Watt (1 Element)

Model No.	Input Signal	Input Frequency	Output	Power Required	Price
OM10-51540AFA0	120 Vac/5A	60 Hz	0-1 mA dc	Self Powered	\$380
OM10-51580AFA0	240 Vac/5A	60 Hz	0-1 mA dc	Self Powered	380
OM10-51540AHD1	120 Vac/5A	60 Hz	4-20 mA dc	120 Vac	445
OM10-51580AHD1	240 Vac/5A	60 Hz	4-20 mA dc	120 Vac	445
OM10-51540AHD2	120 Vac/5A	60 Hz	4-20 mA dc	240 Vac	445
OM10-51580AHD2	240 Vac/5A	60 Hz	4-20 mA dc	240 Vac	445



ac Watt (2 Elements) For Delta Configuration Or "Y" Configuration With No Neutral

Model No.	Input Signal	Input Frequency	Output	Power Required	Price
OM10-53540AFA0	120 Vac/5A	60 Hz	0-1 mA dc	Self Powered	\$485
OM10-53580AFA0	240 Vac/5A	60 Hz	0-1 mA dc	Self Powered	485
OM10-53540AHD1	120 Vac/5A	60 Hz	4-20 mA dc	120 Vac	550
OM10-53580AHD1	240 Vac/5A	60 Hz	4-20 mA dc	120 Vac	550
OM10-53540AHD2	120 Vac/5A	60 Hz	4-20 mA dc	240 Vac	550
OM10-53580AHD2	240 Vac/5A	60 Hz	4-20 mA dc	240 Vac	550



ac Watt (3 Elements) For 4 Wire "Y" Configuration

Model No.	Input Signal	Input Frequency	Output	Power Required	Price
OM10-55540AFA0	120 Vac/5A	60 Hz	0-1 mA dc	Self Powered	\$655
OM10-55580AFA0	240 Vac/5A	60 Hz	0-1 mA dc	Self Powered	655
OM10-55540AHD1	120 Vac/5A	60 Hz	4-20 mA dc	120 Vac	720
OM10-55580AHD1	240 Vac/5A	60 Hz	4-20 mA dc	120 Vac	720
OM10-55540AHD2	120 Vac/5A	60 Hz	4-20 mA dc	240 Vac	720
OM10-55580AHD2	240 Vac/5A	60 Hz	4-20 mA dc	240 Vac	720

*Consult engineering for 50 Hz and 400 Hz models.

Shown smaller than actual size



Drawings show optional current and voltage transformers